

Safety retractable handles

automatic return to the retracted position

SPECIFICATION

Handle
 Plastic **KT**
 Technopolymer (Polyamide PA)
 - temperature resistant up to 90 °C
 - black, matt finish
 - revolving

Retractable mechanism
 Steel, blackened

INFORMATION

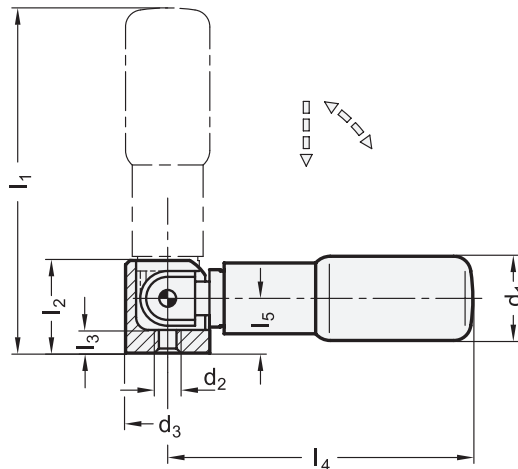
Safety retractable handles GN 798.7 are suitable for applications where the handle must not remain in the operating position. In order to bring the handle into the operating position it has to be turned first through 90° to a stop against a torsion spring and then it is pushed against spring pressure into its hold position. By maintaining the forward thrust on the handle, the handwheel can easily be rotated. When "releasing" the handle, the springs return it back to the retracted position.

ON REQUEST

- Stainless Steel-Safety retractable handles

TECHNICAL INFORMATION

- Plastic characteristics (see page A2)



GN 798.7

Description	d1	d2	d3	l1	l2 ≈	l3	l4	l5	⚖
GN 798.7-KT-22	22	M 6	20	82	22	5.5	73	13	81
GN 798.7-KT-24	24	M 6	20	97	22	5.5	88	13	91
GN 798.7-KT-25	25	M 6	20	107	22	5.5	98	13	101

